

LMD-600+LST-4800

Automatic High Speed Flexo Printing Paper Bag Making Machine

全自动高速柔版印刷纸袋机

**简介:**

全自动高速柔版印刷纸袋机由卷筒纸到图案印刷、折边、成形、切袋、上胶、折底、糊底、成品袋输出一次完成。该机操作更方便，更高效，更稳定，是生产各种不同纸质购物袋、休闲食品袋、面包袋、干果袋等等环保纸袋的理想设备。

Introduction:

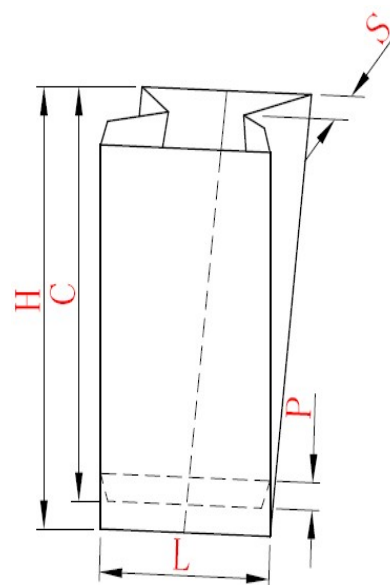
This machine forming the paper bag in one process from roll paper, printing, edge folding, tube forming, cutting, gluing, bottom folding, bottom gluing and finishing bag. Easy operation, low power consumption, high efficiency. It is an ideal machine for producing food bags like bread bags, KFC bags and McDonald's bags.

特点:

1. 触摸屏人机界面，工作状态实时显示。
2. 超精密伺服控制系统，确保机器稳定、高效运行。
3. 材料装卸采用气动升降结构。
4. 全自动恒张力控制系统，张力从始至终丝毫不差。
5. 双光电传感器限位自动纠偏控制系统，纠偏稳定、节能、寿命长。
6. 采用触摸屏人机界面可设置的点数标记功能。
7. 精确的色标跟踪系统，色标错误自动停机。
8. 自动润滑供油系统
9. 套色准确。
10. 自动起落印版滚筒，升降后油墨自动搅拌。
11. 网纹滚筒传墨，墨色均匀。

Features:

1. The human-machine touch screen interface, the work condition can be shown in real- time.
2. Equipped with accurate servo motor drive, it makes the machine run steadily and efficiently.
3. Material lifting adopt pneumatic lift structure.
4. Automatic constant tension control system. The tension will be just right from beginning to end.
5. Double photoelectric sensor limit automatic correction control system and deviation rectification stability, energy saving, long life.
6. The machine has automatic counting system. The user can set a number to count.
7. Accurate color tracking system, color errors automatically shut down.
8. Automatic lubricating oil supply system.
9. accurate colour register.
10. Lift and lower the printing plate cylinder Automatic, it will automatically stir the printing ink after lifting.
11. The printing ink is spread by the knurled cylinder with even ink colour.

**技术参数 Technical Parameter:**

型号	Type	LMD-600+LST-4800
切袋长度 (C)	Cutting Length (C)	230-625 mm
制袋长度 (H)	Bag Length (H)	225-620 mm
制袋宽度 (L)	Bag Width (L)	70-280 mm
折边深度 (S)	Gusset Depth (S)	0-50 mm
梯口高度 (P)	Standard Flap (P)	12-20 mm
最大制袋速度	Max.Speed	400 pcs/min
纸张克重	Paper Thickness	30-80 gsm
纸卷宽度	Paper Roll Width	220-700 mm
最大纸卷直径	Max.Roll Diameter	1000 mm
纸卷内径	Reel Inner Diameter	76 mm
印刷颜色	Printing Color	4 Color
最大印刷宽度	Printing Width	800 mm
印刷长度	Printing Length	160-800 mm
最大印刷速度	Max.Printing Speed	120 m/min
套印精度	Overprint Precision	±0.15 mm
版材厚度	Thickness of Plate	1.7 mm
总功率	Total Power	12.5 kw
机器重量	Weight of Machine	4900 kg
外形尺寸	Overall Dimension(LxWxH)	9150×1650×1850 mm

注意:

制袋速度取决于材料和胶粘剂的品质、纸袋尺寸、操作员的工作知识和工作方法。

Note:

Machine speeds dependent on paper & adhesive qualities, bag dimensions, operator knowledge, and general work philosophy.