

LSD-400
Automatic High Speed Paper Bag Making Machine
全自动高速纸袋机



简介:

我公司最新研发的新型全自动高速纸袋机由卷筒纸到刺孔、上边胶、成筒、切袋、折底、糊底、成品袋输出一次完成。新机型操作更方便，更高效，更稳定，是生产各种不同纸质食品袋、快餐袋、面包袋、医用袋、干果袋、购物袋等等环保纸袋的理想设备。

Introduction:

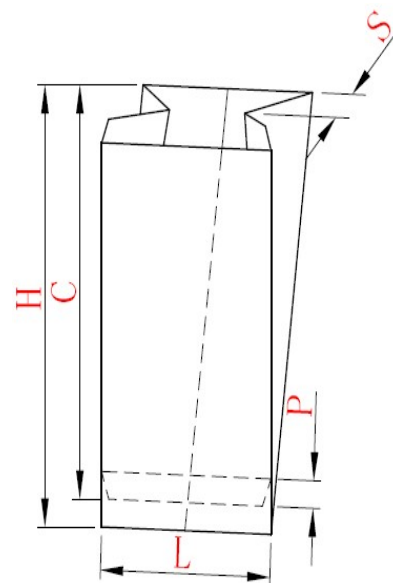
My company's latest research and development of new automatic high-speed paper bag machine from the roll paper to the piercing, the top of the glue, into a tube, cut bags, folding bottom, paste the finished product bag finished once. The new model is more convenient, more efficient and more stable, is the production of a variety of different paper bags, fast food bags, bread bags, medical bags, dried fruit bags, shopping bags, and so the ideal equipment for environmental protection paper bags.

特点:

1. 采用触摸屏人机界面 PC 控制系统，工作状态实时显示。
2. 超精密伺服控制系统，确保机器稳定、高效运行。
3. 材料装卸采用气动升降结构。
4. 全自动恒张力控制系统，张力从始至终丝毫不差。
5. 双光电传感器限位自动纠偏控制系统，纠偏稳定、节能、寿命长。
6. 采用触摸屏人机界面可设置的点数标记功能。
7. 精确的色标跟踪系统，色标错误自动停机。
8. 自动点数标记功能，到达设定数量纸袋自动跳出。

Features:

1. Adopt touch screen and PC control system, the work condition can be shown real time.
2. Equipped with accurate servo motor drive, it makes the machine run steadily and efficiently.
3. Material lifting adopt pneumatic lift structure.
4. Automatic constant tension control system. The tension will be just right from beginning to end.
5. Double photoelectric sensor limit automatic correction control system and deviation rectification stability, energy saving, long life.
6. The machine has automatic counting system. The user can set a number to count.
7. Accurate color tracking system, color errors automatically shut down.
8. The machine has automatic counting system.

**技术参数 Technical Parameter:**

机型	Type	LSD-400
切袋长度 (C)	Cutting Length (C)	100-410 mm
制袋长度 (H)	Bag Length (H)	90-400 mm
制袋宽度 (L)	Bag Width (L)	70-220 mm
折边深度 (S)	Gusset Depth (S)	0-60 mm
梯口高度 (P)	Standard Flap (P)	15-18 mm
最大制袋速度	Max.Speed	700 pcs/min
纸张克重	Paper Thickness	30-80 gsm
纸卷宽度	Paper Roll Width	180-680 mm
最大纸卷直径	Max.Roll Diameter	1100 mm
纸卷内径	Reel Inner Diameter	76 mm
总功率	Total Power	8 kw
机器重量	Weight of Machine	2600 kg
外形尺寸	Overall Dimension(LxWxH)	4350x1400x1650 mm

注意:

制袋速度取决于材料和胶粘剂的品质、纸袋尺寸、操作员的工作知识和工作方法。

Note:

Machine speeds dependent on paper & adhesive qualities, bag dimensions, operator knowledge, and general work philosophy.