

LMD-400B
Automatic High Speed Paper Bag Making Machine
全自动高速纸袋机



简介:

全自动高速纸袋机由卷筒纸到贴膜、折边、成形、切袋、上胶、折底、糊底、成品袋输出一次完成。该机操作更方便，更高效，更稳定，是生产各种不同纸质购物袋、休闲食品袋、面包袋、干果袋等等环保纸袋的理想设备。

Introduction:

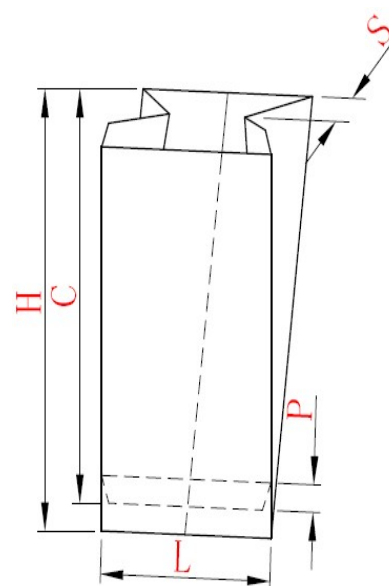
This machine forming the paper bag in one process from roll paper, edge folding, tube forming, cutting, gluing, bottom folding, bottom gluing and finishing bag. Easy operation, low power consumption, high efficiency. It is an ideal machine for producing food bags like bread bags, KFC bags and McDonald's bags.

特点:

1. 触摸屏人机界面，工作状态实时显示。
2. 超精密伺服控制系统，确保机器稳定、高效运行。
3. 材料装卸采用气动升降结构。
4. 全自动恒张力控制系统，张力从始至终丝毫不差。
5. 双光电传感器限位自动纠偏控制系统，纠偏稳定、节能、寿命长。
6. 采用触摸屏人机界面可设置的点数标记功能。
7. 精确的色标跟踪系统，色标错误自动停机。
8. 自动润滑供油系统

Features:

1. The human-machine touch screen interface, the work condition can be shown in real- time.
2. Equipped with accurate servo motor drive, it makes the machine run steadily and efficiently.
3. Material lifting adopt pneumatic lift structure.
4. Automatic constant tension control system. The tension will be just right from beginning to end.
5. Double photoelectric sensor limit automatic correction control system and deviation rectification stability, energy saving, long life.
6. The machine has automatic counting system. The user can set a number to count.
7. Accurate color tracking system, color errors automatically shut down.
8. Automatic lubricating oil supply system.

**技术参数 Technical Parameter:**

机型	Type	LMD-400B
切袋长度 (C)	Cutting Length (C)	150-460 mm
制袋长度 (H)	Bag Length (H)	145-455 mm
制袋宽度 (L)	Bag Width (L)	70-280 mm
折边深度 (S)	Gusset Depth (S)	0-50 mm
梯口高度 (P)	Standard Flap (P)	12-20 mm
最大制袋速度	Max.Speed	400 pcs/min
纸张克重	Paper Thickness	30-80 gsm
纸卷宽度	Paper Roll Width	220-700 mm
最大纸卷直径	Max.Roll Diameter	1000 mm
纸卷内径	Reel Inner Diameter	76 mm
贴膜	Pasted With Film	YES
薄膜厚度	Film Thickness	0.015-0.04 mm
薄膜宽度	Film Width	50-180 mm
薄膜最大直径	The Max Film Diameter	450 mm
薄膜内径	Film Inner Diameter	76 mm
总功率	Total Power	8 kw
机器重量	Weight of Machine	3200 kg
外形尺寸	Overall Dimension(LxWxH)	4580x1650x1850 mm

注意:

制袋速度取决于材料和胶粘剂的品质、纸袋尺寸、操作员的工作知识和工作方法。

Note:

Machine speeds dependent on paper & adhesive qualities, bag dimensions, operator knowledge, and general work philosophy.